

YSP

HIGH TEMPERATURE AND PRESSURE SERIES

高温高压

高温高压及低温装置专用紧固件

性能等级:

钢: ISO898: 5.6-10.9; ASTM A 193: B6, B7, B16, B7M; ASTM A320: L7, L7M; Sh3404, Hg20613, HG20634, DIN267-T13, ASTM B540 ;

不锈钢: ISO3506: A2(50-80), A4(50-80), C1,C3; ASTM A193/A320: B8(CL1A-CL2B), B8M(CL1A-CL2B), B8T(CL1A-CL2); ASTM A453; DIN267-T13; 双相不锈钢:

镍基合金: ASTM B637, ASTM B574, ASTM F468, ASTM B564; Inconel 625, 718, 22; Monel 400, 405, 500

全牙螺柱 (碳钢、合金钢、不锈钢、镍基合金)

规格: M5~M100(10#~4")

长度: 6-6000mm

双头螺柱 (碳钢、合金钢、不锈钢、镍基合金)

规格: M4~M100(8#~4")

长度: 6-6000mm

六角螺栓、重型六角螺栓 (碳钢、合金钢、不锈钢、镍基合金)

规格: M10~M100(3/8~4")

长度: 6-1000mm

Property Class:

Steel: ISO898: 5.6-10.9; ASTM A 193: B6, B7, B16, B7M; ASTM A320: L7, L7M; Sh3404, Hg20613, HG20634, DIN267-T13, ASTM B540;

Stainless steel: ISO3506: A2(50-80), A4(50-80), C1, C3; ASTM A193/A320: B8(CL1A-CL2B), B8M(CL1A-CL2B), B8T(CL1A-CL2); ASTM A453; DIN267-T13; duplex stainless steel;

Nickel base alloy: ASTM B637, ASTM B574, ASTM F468, ASTM B564; Inconel 625, 718, 22; Monel 400, 405, 500

Thread Bars(carbon steel, alloy steel, stainless steel, nickel base alloy)

Diameter: M5-M100(10#~4")

Length: 6-6000mm

Double Ends Stud Bolts(carbon steel, alloy steel, stainless steel, nickel base alloy)

Diameter: M4-M100(8#~4")

Length: 6-6000mm

Hex Bolts, Heavy Hex Bolts (carbon steel, alloy steel, stainless steel, nickel base alloy)

Diameter: M10-M100(3/8~4")

Length: 6-1000mm

FASTENERS FOR HIGH TEMPERATURE AND PRESSURE, LOW TEMPERATURE DEVICE

YSP



六角头
HEX HEAD SERIES

六角头

HEX HEAD SERIES

材料: 碳钢、合金钢、不锈钢

规格: M4 - M100 (8# - 4")

长度: 6 - 1000mm

性能等级:

钢ISO898: 4.6 - 12.9; ASTM A307,

A354, A449, SAE J429 Gr.2-Gr.8

不锈钢ISO3506: A2(50 - 80), A4(50 - 80), C1,

C3, ASTM F593, F594, F738M

Material: Carbon Steel, Alloy Steel, Stainless Steel

Diameter: M4 - M100 (8# - 4")

Length: 6 - 1000mm

Property Class:

Steel: ISO898: 4.6 - 12.9; ASTM A307, A354, A449, SAE J429 Gr.2-Gr.8

Stainless Steel: ISO3506: A2(50 - 80), A4(50 - 80), C1, C3, ASTM F593, F594,

F738M

□ 重型六角系列

规格: M12 - M36 (1/2 - 1 1/2")

长度: 25 - 1000mm

性能等级: ISO898: 8.8 - 10.9; GB1231:

8.8S, 10.9S, JIS B1186; EN 14399; ASTM

A325/A325M, A490/A490M

□ 扭剪型系列

规格: M12 - M36 (1/2 - 1 1/2")

长度: 25 - 1000mm

性能等级: GB3632: 10.9S; ASTM F1852,

F2280; JSS II -09

□ 焊接钉

规格: M12 - M24 (1/2 - 1")

长度: 30 - 500mm

性能等级: ISO898:4.6; ASTM A307

□ Heavy Hex Series

Diameter: M12 - M36 (1/2 - 1 1/2")

Length: 25 - 1000mm

Property Class: ISO898: 8.8 - 10.9;

GB1231: 8.8S, 10.9S, JIS B1186; EN 14399;

ASTM A325/A325M, A490/A490M

□ Tension Control Structural Series

Diameter: M12 - M36 (1/2 - 1 1/2")

Length: 25 - 1000mm

Property Class: GB3632: 10.9S; ASTM

F1852, F2280; JSS II -09

□ Welding Studs

Diameter: M12 - M24 (1/2 - 1")

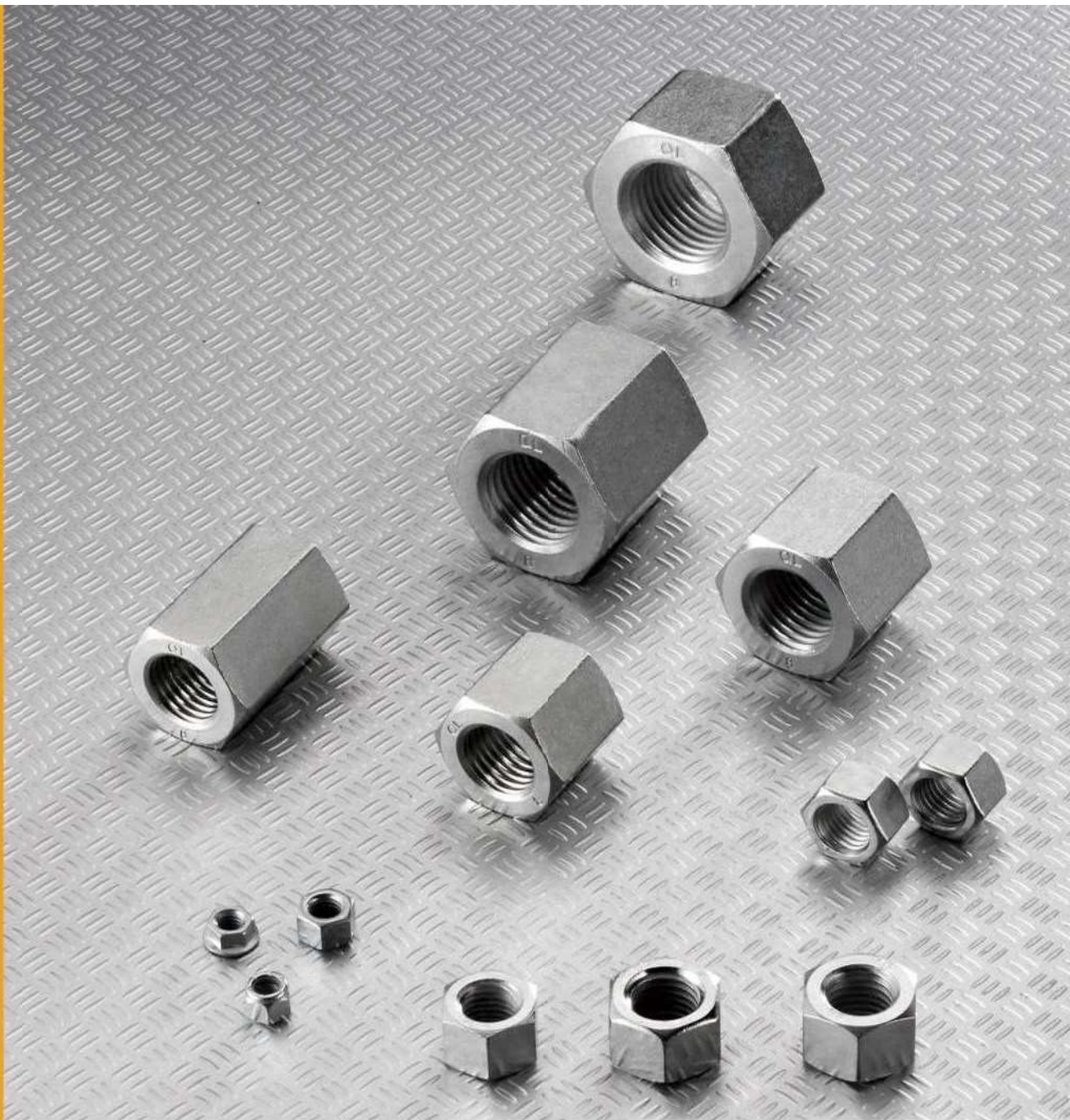
Length: 30 - 500mm

Property Class: ISO898: 4.6; ASTM A307

STEEL STRUCTURAL SERIES

钢 结 构





螺母
NUTS

规格: M10 - M100(3/8 - 4")

性能等级:

钢: ISO898:4 - 12; A194/A194M: 2.2H, 2HM, 3, 4, 6, 7, 7M, 16; ASTM A563, A563M

不锈钢: ISO3506: A2(50 - 80), A4(50 - 80), C1, C3; ASTM A194/A194M: 8.8A, 8M, 8MA, 8T, 8TA; ASTM F593/F593M

Diameter: M10 - M100(3/8 - 4")

Property Class:

Steel: ISO898: 4 - 12; A194/A194M: 2.2H, 2HM, 3, 4, 6, 7, 7M, 16; ASTM A563, A563M

Stainless Steel: ISO3506: A2 (50 - 80), A4 (50 - 80), C1, C3; ASTM A194/A194M: 8, 8A, 8M, 8MA, 8T, 8TA; ASTM F593/F593M

产品机械性能及规格范围

Mechanical properties and Standards

螺纹	材料	产品系列	性能标准	规格范围	
Thread (标准体系)	Material	Series	Property Standards	Dia. Range	
公制 METRIC	碳钢 Carbon Steel & Alloy Steel	普通紧固件 Common Products	ISO 898	M4 - M100	
			ISO 2702	St2.5 - St9.5	
			ASTM A574M	M4 - M100	
			ASTM A563M	M4 - M100	
			ASTM F835M	M4 - M36	
			ASTM F912M	M4 - M20	
		钢结构紧固件 Steel Structural Products	ASTM A325M	M12 - M36	
			ASTM A490M	M12 - M36	
			ASTM A563M	M12 - M36	
			ASTM A194M	M12 - M36	
			JIS B1186	M12 - M36	
			EN14399	M12 - M36	
			GE/T 1228-1231	M12 - M36	
			GE/T 3632	M16 - M30	
			高温高压紧固件 High temperature & high pressure	ASTM A193M	M12 - M100
				ASTM A320M	M12 - M100
				ASTM A194M	M12 - M100
				ASTM A453M	M12 - M100
	DIN267 T13	M12 - M100			
	SH3404	M12 - M100			
	不锈钢 Stainless steel	普通紧固件 Common Products	HG20613	M12 - M100	
			HG20634	M12 - M100	
			ISO3506	M4 - M100	
			ASTM F738M	M4 - M100	
			ASTM F837M	M4 - M100	
			ASTM F879M	M4 - M36	
		高温高压紧固件 High temperature & high pressure	ASTM F880M	M4 - M20	
			ASTM A193M	M12 - M100	
ASTM A320M			M12 - M100		
ASTM A194M			M12 - M100		
ASTM A453M	M12 - M100				
DIN931 T13	M12 - M100				
SH3404	M12 - M100				
HG20613	M12 - M100				
HG20634	M12 - M100				



仲賢行有限公司
CYH Limited

公司简介 Company Profile

宁波聚力紧固件制造有限公司，坐落于宁波市化工区塘汇街道江宁波，占地面积40000㎡，专业从事不锈钢、碳钢合金、高强度紧固件等各类紧固件，年生产能力约25000吨级，产品注册商标为“聚力”，注册商标为“QJ”，产品按照 DIN(德标)、ANSI/ASTM(美标)、BS(英标)、JIS(日标)、ISO(国际标准)、GB(国标)及汽车制造、电力、铁路、石化等行业的相关标准和规范组织生产。产品广泛应用于汽车制造、核电、风电工程、大型重点工程建设、机械制造、建筑、船舶、桥梁、石化、冶金、环保等行业。公司已获得ISO9001、TS16949(汽车行业)、TS20000(特种设备制造许可证(压力容器))，通过安全生产标准化认证，并已通过国际环境管理体系ISO14001认证。

“聚力”品牌，科学发展的品牌，取信用户”是本公司基本方针和服务宗旨。公司拥有国内外先进制造设备和检测设施，产品质量稳定，交货快捷，售后服务周到，拥有良好的信誉。

公司集丰富的紧固件制造经验与出色的管理团队于一体，以外用户解决问题为导向，根据客户要求，开发和加工各类紧固件产品。公司在上海、河北、沈阳等城市设有销售服务中心，热忱为用户提供优质的服务。

Ningbo Qianli Fastener Manufacturing Co., Ltd is located on a 40,000 square meter site in Ningbo's very modern export city. We specialize in manufacturing all kinds of stainless steel, stainless alloy and high strength fasteners with an annual output of more than 25,000 MT. "Qianli" our registered brand and "QJ" is our identification mark. We manufacture according to a number of internationally recognized standards including DIN, ANSI/ASTM, BS, GB and other national standards include automobile industry, electric power, alloy, petrochemical, etc. "Qianli" brand products are broadly used in automobile, major engineering project, nuclear power and wind power projects, mechanical engineering, petrochemical engineering, bridge, vessels, cranes, etc. We have also gained the standardized enterprise license for work order.

Our basic operating principles and service aims are: "Honesty, Scientific Development, Client Focusing and Trust Establishment". Qianli's advanced tools and imported manufacturing equipments and inspection equipments. Currently, Our products are exported to Europe, America, the Middle East, Southeast Asia, Hong Kong, Korea and Japan. Due to excellent quality Qianli obtain a good reputation in all of these markets.

Our company focuses on combining experiences, advanced manufacturing techniques and an excellent customer-oriented sales team to develop and manufacture all kinds of fastener products according to our customers' requirements. We have established service centers in Shanghai, Hubei, Shenyang, Shenzhen and other cities to offer our clients the best possible service.



供应国内工程

- 1.上海隧道股份有限公司隧道2号线：供应高强度及不锈钢紧固件。
- 2.上海外高桥电厂：供应不锈钢及高强度螺栓。
- 3.世界最长跨海大桥-杭州湾跨海大桥：总长36KM，供应全部桥面的六角螺栓。
- 4.中国石化 / 镇海炼化的乙烯工程：供应不锈钢螺柱螺栓系列。
- 5.中国中铁深圳地铁5号线：供应高强度紧固件。
- 6.舟山群岛连岛大桥：供应不锈钢和高强度紧固件。
- 7.上海东海大桥：供应不锈钢和高强度紧固件。
- 8.上海崇明岛大桥：供应高强度紧固件。
- 9.香港至深圳连跨大桥：供应不锈钢紧固件A4-80。

Domestic Projects Supply

1. Shanghai Tunnel Co., Ltd.: the 2nd tunnel line: Supply high strength and stainless steel fastener.
2. Shanghai Waigaoqiao Power Plant: Stainless steel bolts and high strength bolts.
3. The longest cross-sea bridge--Hangzhou Bay Bridge, which has a total length of 36KM. Supply all the hex bolts.
4. Ethylene project of Sinopec Zhenhai Refining & Chemical Company: stainless steel studs and bolts.
5. Shenzhen 5th Metro line of China Railway Group: high strength bolts.
6. Zhoushan Islands Island Bridge: stainless steel bolts and high strength bolts.
7. Shanghai Donghai Bridge: stainless steel bolts and high strength bolts.
8. Shanghai's Chongming Island Bridge: high strength bolts.
9. The corss-sea bridge--Hongkong to Shenzhen: supply stainless steel bolts A4-80

供应国外工程

- 1.日本松下公司二期工程电厂：供应大规格的合金钢螺柱。
- 2.台湾最大火力发电厂二期：供应大六角螺栓和钢结构连结副。
- 3.香港最大安装公司：深圳-香港大桥，香港西部通道：供应高等级不锈钢紧固件。
- 4.中东轻轨及石油管道工程：供应高强度及不锈钢紧固件。

Overseas a Projects Supply

1. Panasonic Power Station Phase II Project in Japan: Supply large size steel studs.
2. The biggest Thermal power plant Phase II Project in Taiwan: Heavy hex bolts and structural parts.
3. Hong Kong Biggest Installation Company: Shenzheng-Hongkong Bridge, Hong Kong Western channels, Supply high strength stainless steel fastener.
4. Light Rail and Petroleum Pipeline Project in Middle East: Supply high strength and stainless Steel fastener

■ **1.大型注塑机配套:**

高强度内六角螺钉

High strength hex socket head screws for large-scale plastic injection machine

■ **2.石化配套:**

耐腐蚀不锈钢紧固件及高强度紧固件

Corrosion-resistant stainless steel and high strength fasteners for petrochemical industry



■ **4.电厂配套:**

高强度紧固件和不锈钢紧固件

High strength and stainless steel fasteners for power plant

■ **3.风电配套:**

高强度紧固件和不锈钢紧固件

High strength and stainless steel fasteners for wind power generation equipments



■ **5.核电配套:**

高强度紧固件和不锈钢、镍基合金紧固件

High strength, stainless steel and nickel base alloy fasteners for nuclear power



仲賢行有限公司
CYH Limited

Rm 911, 9/F, Harbour Crystal Centre, 100 Granville Road, Tsim Sha Tsui East, Kln., H.K.
香港九龍尖沙咀東部加連威老道100號港晶中心9樓911室

(852) 2967 3999 (852) 2818 6890



■ 汽车产业及高铁配套：Fasteners for auto industry and high-speed railway



- 2.地铁隧道及高铁工程配套：高强度紧固件和不锈钢紧固件
High strength and stainless steel fasteners for subway and tunnel
- 4.大型货船和军用船舶配套：高强度紧固件和不锈钢紧固件
High strength and stainless steel fasteners for large-scale cargo and warship

- 3.桥梁配套：高强度扭剪型、大六角连接副及不锈钢紧固件
High strength assistant bolts with large hexagon head / torque control and stainless steel fasteners for bridge